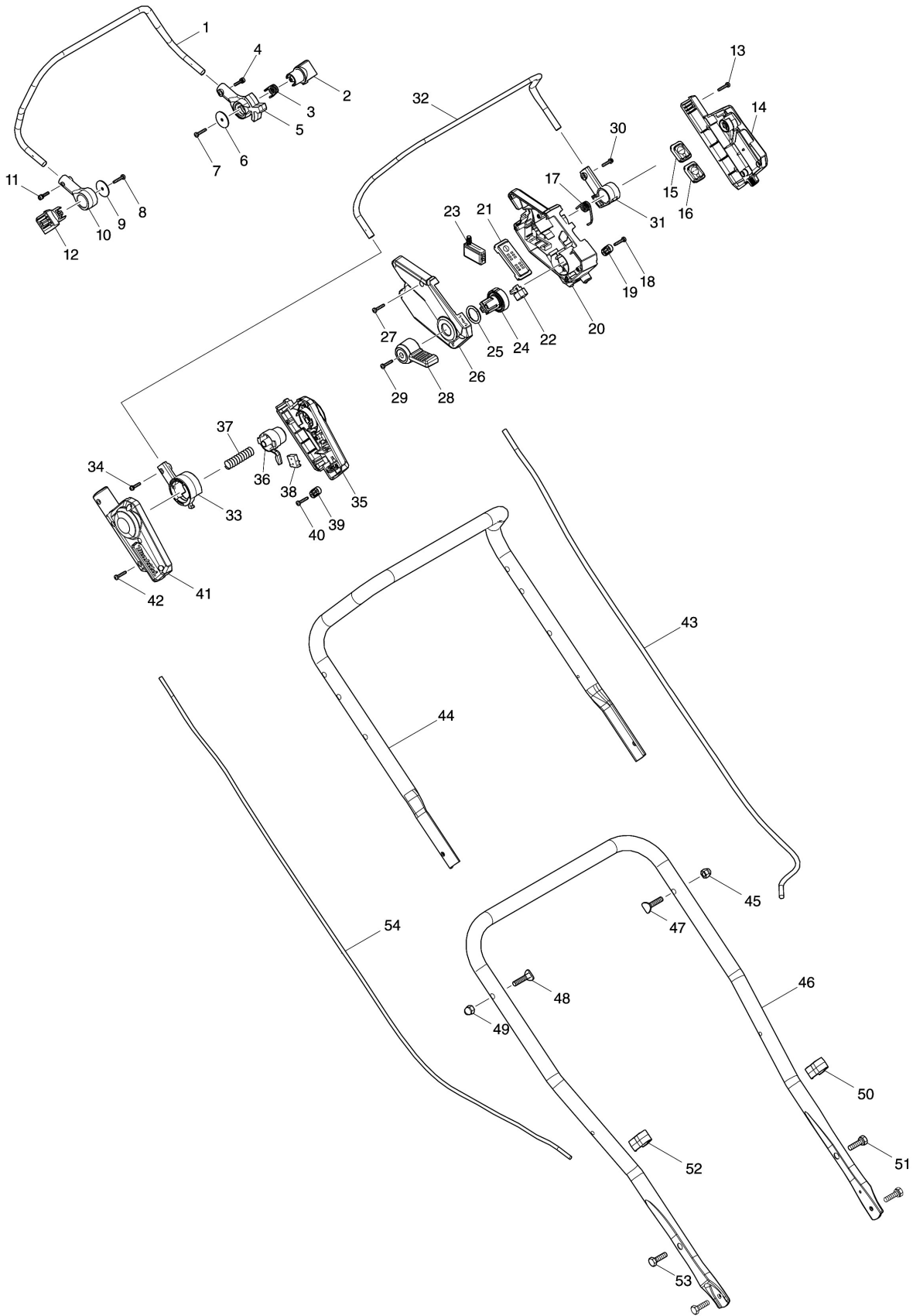
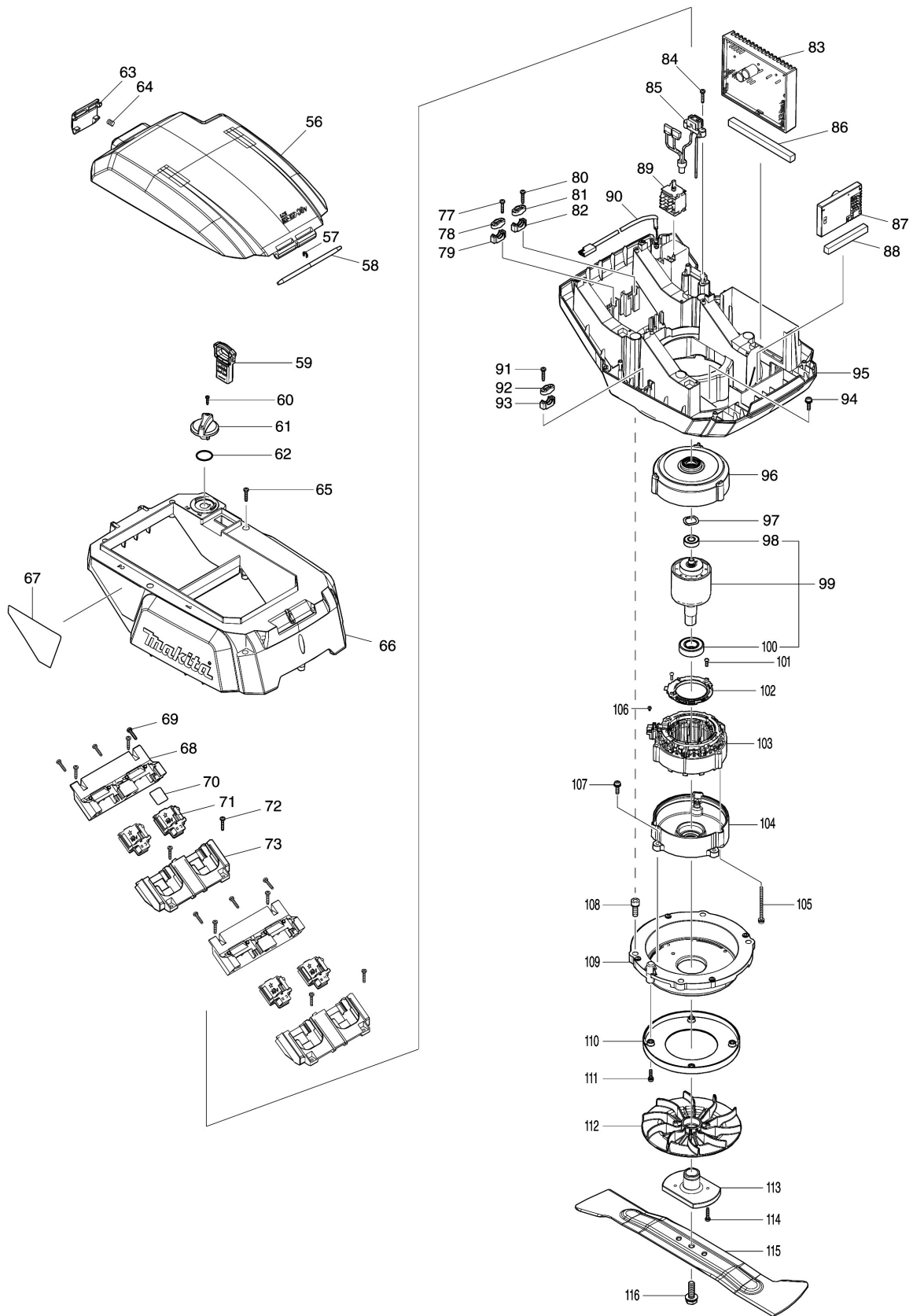


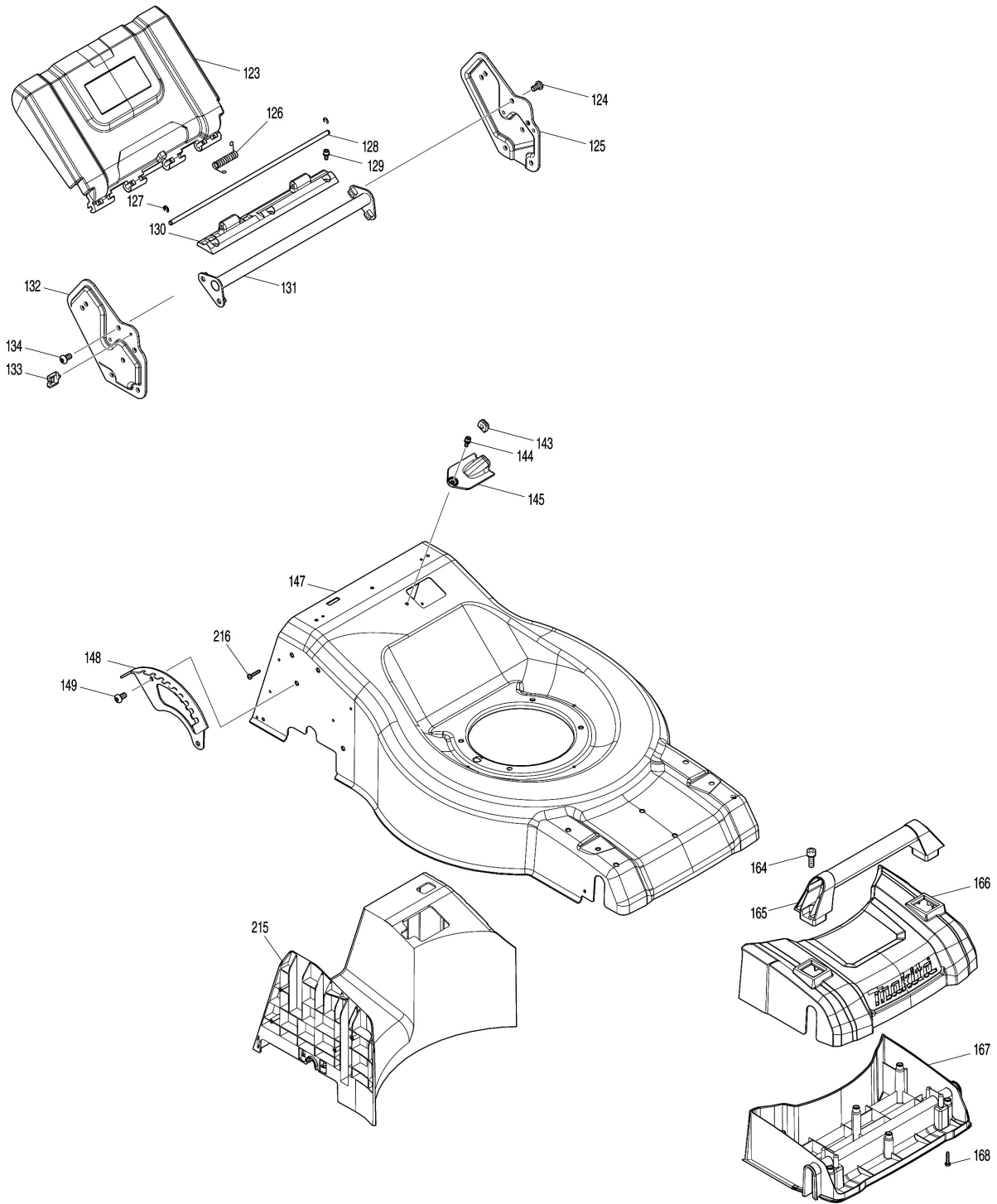
Model No.DLM462 460MM CORDLESS LAWN MOWER



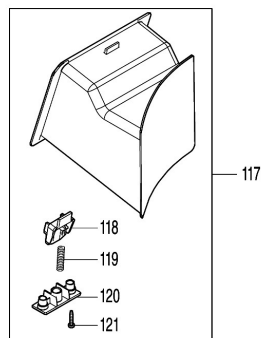
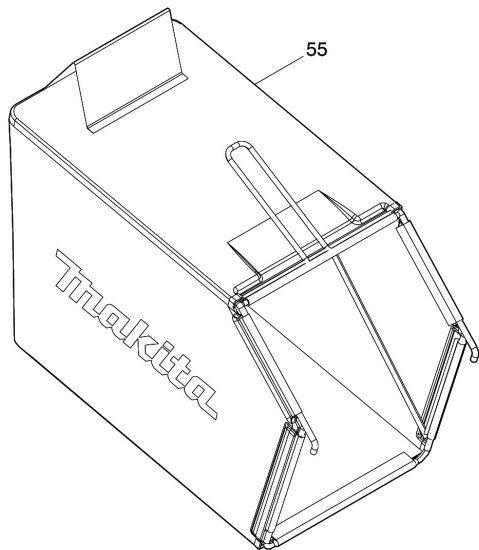
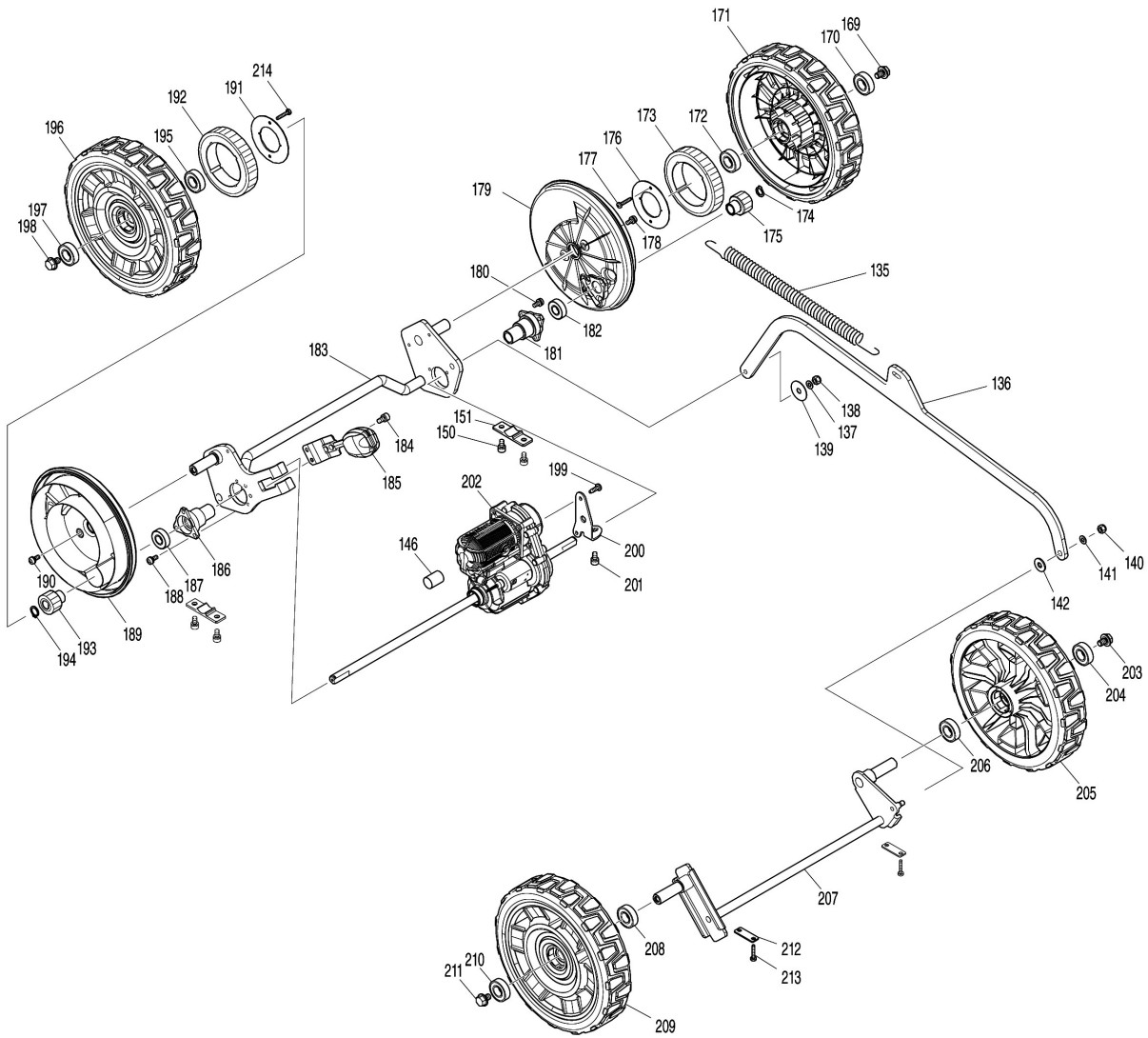
Model No.DLM462 460MM CORDLESS LAWN MOWER



Model No.DLM462 460MM CORDLESS LAWN MOWER



Model No.DLM462 460MM CORDLESS LAWN MOWER



Model No.DLM462 460MM CORDLESS LAWN MOWER

| Položka | Číslo dílu | Popis | Změna | Množství | New/Old | Možnost 1 | Možnost 2 | Poznámka |
|---------|------------|-----------------------------|-------|----------|---------|--------------|--------------|----------|
| 001 | 327425-6 | DRIVING LEVER | | 1 | | | | |
| 002 | 459859-6 | DRIVING LEVER HOLDER | | 1 | | | | |
| 003 | 232566-4 | TORSION SPRING 12 | | 1 | | | | |
| 004 | 911138-5 | P.H.SCREW M4X20 WITH WR | | 1 | | | | |
| 005 | 459864-3 | DRIVING LEVER SUPPORT L | | 1 | | | | |
| 006 | 267136-0 | FLAT WASHER 5 | | 1 | | | | |
| 007 | 266424-2 | TAPPING SCREW 4X20 | | 1 | | | | |
| 008 | 266424-2 | TAPPING SCREW 4X20 | | 1 | | | | |
| 009 | 267136-0 | FLAT WASHER 5 | | 1 | | | | |
| 010 | 459858-8 | DRIVING LEVER SUPPORT R | | 1 | | | | |
| 011 | 911138-5 | P.H.SCREW M4X20 WITH WR | | 1 | | | | |
| 012 | 459859-6 | DRIVING LEVER HOLDER | | 1 | | | | |
| 013 | 266424-2 | TAPPING SCREW 4X20 | | 6 | | | | |
| 014 | 183N90-3 | SWITCH BOX SET | | 1 | | | | |
| D10 | | INC. 26 | | | | | | |
| 015 | 140F09-7 | SWITCH CIRCUIT COMPLETE | | 1 | | | | |
| C10 | 810D46-0 | SWITCH LABEL | | 1 | | | | |
| 016 | 140F10-2 | SWITCH CIRCUIT COMPLETE | | 1 | | | | |
| C10 | 818A74-1 | SWITCH LABEL | | 1 | | | | |
| 017 | 232575-3 | TORSION SPRING 12 | | 1 | | | | |
| 018 | 266424-2 | TAPPING SCREW 4X20 | | 2 | | | | |
| 019 | 687124-5 | STRAIN RELIEF | | 1 | | | | |
| 020 | 459860-1 | SWITCH BOX | | 1 | | | | |
| 021 | 620C48-0 | INDICATION CIRCUIT COMPLETE | | 1 | | | | |
| C10 | 8007C8-5 | INDICATION LABEL | | 1 | | | | |
| 022 | 620415-1 | SUB CONTROLLER | | 1 | | | | |
| 023 | 651083-9 | SWITCH C3XA-1PSPM | | 1 | | | | |
| 024 | 459866-9 | SPEED LEVER HOLDER | | 1 | | | | |
| 025 | 213897-0 | O-RING 26 | | 1 | | | | |
| 026 | 183N90-3 | SWITCH BOX SET | | 1 | | | | |
| D10 | | INC. 14 | | | | | | |
| 027 | 266424-2 | TAPPING SCREW 4X20 | | 5 | | | | |
| 028 | 459865-1 | SPEED LEVER | | 1 | | | | |
| 029 | 266424-2 | TAPPING SCREW 4X20 | | 1 | | | | |
| 030 | 911138-5 | P.H.SCREW M4X20 WITH WR | | 1 | | | | |
| 031 | 459863-5 | SWITCH LEVER SUPPORT L | | 1 | | | | |
| C10 | 931102-0 | HEX. NUT M4 | | 1 | | | | |
| 032 | 327424-8 | SWITCH LEVER | | 1 | | | | |
| 033 | 459856-2 | SWITCH LEVER SUPPORT R | | 1 | | | | |
| C10 | 931102-0 | HEX. NUT M4 | | 1 | | | | |
| 034 | 911138-5 | P.H.SCREW M4X20 WITH WR | | 1 | | | | |
| 035 | 183P40-0 | LEVER BOX SET | | 1 | | | | |
| C10 | 8007C6-9 | INDICATION LABEL | | 1 | | | | |
| D10 | | INC. 41 | | | | | | |

Model No.DLM462 460MM CORDLESS LAWN MOWER

| Položka | Číslo dílu | Popis | Změna | Množství | New/Old | Možnost 1 | Možnost 2 | Poznámka |
|---------|------------|-------------------------|-------|----------|---------|--------------|--------------|----------|
| 036 | 459857-0 | LOCK OFF BUTTON | | 1 | | | | |
| 037 | 231227-3 | COMPRESSION SPRING 15 | | 1 | | | | |
| 038 | 632E26-0 | SWITCH UNIT | | 1 | | | | |
| 039 | 687124-5 | STRAIN RELIEF | | 1 | | | | |
| 040 | 266424-2 | TAPPING SCREW 4X20 | | 2 | | | | |
| 041 | 183P40-0 | LEVER BOX SET | | 1 | | | | |
| C10 | 8007C6-9 | INDICATION LABEL | | 1 | | | | |
| D10 | | INC. 35 | | | | | | |
| 042 | 266424-2 | TAPPING SCREW 4X20 | | 6 | | | | |
| 043 | 699143-9 | POWER SUPPLY CORD UNIT | | 1 | | | | |
| 044 | 327421-4 | HANDLE UPPER | | 1 | | | | |
| 045 | 252278-3 | HEX. CAP NUT M8 | | 1 | | | | |
| 046 | 327423-0 | HANDLE LOWER | | 1 | | | | |
| 047 | 265A62-3 | FLAT HEAD BOLT M8X38 | | 1 | | | | |
| 048 | 265A62-3 | FLAT HEAD BOLT M8X38 | | 1 | | | | |
| 049 | 252278-3 | HEX. CAP NUT M8 | | 1 | | | | |
| 050 | 459905-5 | CLAMP | | 1 | | | | |
| 051 | 921451-3 | HEX. BOLT M8X30 | | 2 | | | | |
| 052 | 459905-5 | CLAMP | | 1 | | | | |
| 053 | 921451-3 | HEX. BOLT M8X30 | | 2 | | | | |
| 054 | 699142-1 | POWER SUPPLY CORD UNIT | | 1 | | | | |
| 055 | 127433-5 | GRASS CATCHER ASSEMBLY | | 1 | | | | |
| 056 | 140S03-7 | BATTERY COVER COMPLETE | | 1 | | | | |
| C10 | 890380-0 | CAUTION LABEL | | 1 | | | | |
| 057 | 961018-5 | STOP RING E-5 | | 1 | | | | |
| 058 | 327536-7 | ROD 6 | | 1 | | | | |
| 059 | 643535-4 | KEY | | 1 | | | | |
| 060 | 266404-8 | TAPPING SCREW BIND 3X14 | | 1 | | | | |
| 061 | 459851-2 | SWITCH LEVER | | 1 | | | | |
| 062 | 213896-2 | O-RING 24 | | 1 | | | | |
| 063 | 459852-0 | LOCK LEVER | | 1 | | | | |
| 064 | 231037-8 | COMPRESSION SPRING 7 | | 1 | | | | |
| 065 | 266424-2 | TAPPING SCREW 4X20 | | 7 | | | | |
| 066 | 459847-3 | COWLING UPPER | | 1 | | | | |
| 067 | 856P63-8 | DLM462 NAME PLATE | | 1 | | | | |
| 068 | 183N78-3 | TERMINAL HOUSING SET | | 2 | | | | |
| C10 | 263005-3 | RUBBER PIN 6 | | 8 | | | | |
| D10 | | INC. 73 | | | | | | |
| 069 | 266424-2 | TAPPING SCREW 4X20 | | 6 | | | | |
| 070 | 856P71-9 | DLM462 SERIAL NO. LABEL | | 1 | | | | |
| 071 | 644809-6 | TERMINAL | | 4 | | | | |
| 072 | 266424-2 | TAPPING SCREW 4X20 | | 8 | | | | |
| 073 | 183N78-3 | TERMINAL HOUSING SET | | 2 | | | | |
| C10 | 263005-3 | RUBBER PIN 6 | | 8 | | | | |
| D10 | | INC. 68 | | | | | | |

Model No.DLM462 460MM CORDLESS LAWN MOWER

| Položka | Číslo dílu | Popis | Změna | Množství | New/Old | Možnost 1 | Možnost 2 | Poznámka |
|---------|------------|--------------------------------|-------|----------|---------|--------------|--------------|----------|
| 077 | 266424-2 | TAPPING SCREW 4X20 | | 2 | | | | |
| 078 | 687124-5 | STRAIN RELIEF | | 1 | | | | |
| 079 | 687051-6 | STRAIN RELIEF | | 1 | | | | |
| 080 | 266424-2 | TAPPING SCREW 4X20 | | 2 | | | | |
| 081 | 687124-5 | STRAIN RELIEF | | 1 | | | | |
| 082 | 687051-6 | STRAIN RELIEF | | 1 | | | | |
| 083 | 620C44-8 | CONTROLLER | | 1 | | | | |
| 084 | 266424-2 | TAPPING SCREW 4X20 | | 2 | | | | |
| 085 | 632P74-5 | LEAD UNIT | | 1 | | | | |
| 086 | 422529-0 | SPONGE B | | 1 | | | | |
| 087 | 620C47-2 | CONTROLLER | | 1 | | | | |
| 088 | 422528-2 | SPONGE A | | 1 | | | | |
| 089 | 651444-3 | SWITCH 1703.4703 | | 1 | | | | |
| 090 | 699145-5 | POWER SUPPLY CORD UNIT | | 1 | | | | |
| 091 | 266424-2 | TAPPING SCREW 4X20 | | 2 | | | | |
| 092 | 687124-5 | STRAIN RELIEF | | 1 | | | | |
| 093 | 687051-6 | STRAIN RELIEF | | 1 | | | | |
| 094 | 911233-1 | PAN HEAD SCREW M5X20 | | 4 | | | | |
| 095 | 459848-1 | COWLING LOWER | | 1 | | | | |
| 096 | 319869-4 | MOTOR HOUSING UPPER | | 1 | | | | |
| 097 | 253455-0 | WAVE WASHER 19 | | 1 | | | | |
| 098 | 210141-6 | BALL BEARING 6000DDW | | 1 | | | | |
| 099 | 519606-8 | ROTOR ASS'Y | | 1 | | | | |
| D10 | | INC. 98,100 | | | | | | |
| 100 | 211387-7 | BALL BEARING 6004LLU | | 1 | | | | |
| 101 | 265B29-7 | TAPPING SCREW PT 2X8 | | 2 | | | | |
| 102 | 620B88-2 | CONTROLLER B | | 1 | | | | |
| 103 | 629465-3 | STATOR | | 1 | | | | |
| 104 | 319870-9 | MOTOR HOUSING LOWER | | 1 | | | | |
| 105 | 911691-1 | PAN HEAD SCREW M5X70 | | 3 | | | | |
| 106 | 652031-1 | PAN HEAD SCREW M3X6 | | 3 | | | | |
| 107 | 911233-1 | PAN HEAD SCREW M5X20 | | 4 | | | | |
| 108 | 922441-9 | HEX. SOCKET HEAD BOLT M8X25 | | 4 | | | | |
| 109 | 319867-8 | MOTOR BRACKET | | 1 | | | | |
| 110 | 459853-8 | BAFFLE PLATE | | 1 | | | | |
| 111 | 911126-2 | PAN HEAD SCREW M4X16 | | 4 | | | | |
| 112 | 240205-2 | FAN 170 | | 1 | | | | |
| 113 | 319882-2 | BLADE SUPPORT | | 1 | | | | |
| 114 | 266424-2 | TAPPING SCREW 4X20 | | 2 | | | | |
| 115 | 191D51-9 | BLADE 460 SET | | 1 | | | | |
| 116 | 265A69-9 | HEX. BOLT M10X35 WITH WG | | 1 | | | | |
| 117 | 127515-3 | MULCHING PLUG ASSEMBLY | | 1 | | | | |
| D10 | | INC. 118-121 | | | | | | |
| 118 | 459884-7 | LOCK LEVER | | 1 | | | | |

Model No.DLM462 460MM CORDLESS LAWN MOWER

| Položka | Číslo dílu | Popis | Změna | Množství | New/Old | Možnost 1 | Možnost 2 | Poznámka |
|---------|------------|--------------------------------|-------|----------|---------|--------------|--------------|----------|
| 119 | 231401-3 | COMPRESSION SPRING 7 | | 1 | | | | |
| 120 | 459885-5 | LOCK LEVER SUPPORT | | 1 | | | | |
| 121 | 266424-2 | TAPPING SCREW 4X20 | | 2 | | | | |
| 123 | 140R95-0 | REAR FLAP COMPLETE | | 1 | | | | |
| C10 | 8007P8-6 | CAUTION LABEL | | 1 | | | | |
| 124 | 265B20-5 | HEX.SOCKET BUTTON HEAD BOLT M8 | | 4 | | | | |
| 125 | 347579-3 | HANDLE BRACKET L | | 1 | | | | |
| 126 | 233597-6 | TORSION SPRING 8 | | 1 | | | | |
| 127 | 961018-5 | STOP RING E-5 | | 2 | | | | |
| 128 | 327419-1 | ROD 6 | | 1 | | | | |
| 129 | 922213-2 | H.S.H.BOLT M5X12 WITH WR | | 3 | | | | |
| 130 | 459879-0 | REAR FLAP HOLDER PLATE | | 1 | | | | |
| 131 | 162693-2 | REAR GRIP | | 1 | | | | |
| 132 | 347578-5 | HANDLE BRACKET R | | 1 | | | | |
| 133 | 451825-9 | CLAMP | | 1 | | | | |
| 134 | 265B20-5 | HEX.SOCKET BUTTON HEAD BOLT M8 | | 4 | | | | |
| 135 | 232628-8 | TENSION SPRING 16 | | 1 | | | | |
| 136 | 347581-6 | CONNECTING ROD | | 1 | | | | |
| 137 | 941151-9 | FLAT WASHER 6 | | 1 | | | | |
| 138 | 252014-7 | HEX. LOCK NUT M6-10 | | 1 | | | | |
| 139 | 267216-2 | FLAT WASHER 8 | | 1 | | | | |
| 140 | 252014-7 | HEX. LOCK NUT M6-10 | | 1 | | | | |
| 141 | 941151-9 | FLAT WASHER 6 | | 1 | | | | |
| 142 | 253762-1 | FLAT WASHER 8 | | 1 | | | | |
| 143 | 422526-6 | GROMMET | | 1 | | | | |
| 144 | 922213-2 | H.S.H.BOLT M5X12 WITH WR | | 1 | | | | |
| 145 | 459880-5 | LEAD COVER | | 1 | | | | |
| 146 | 683A20-1 | POLYOLEFIN TUBE | | 1 | | | | |
| 147 | 347560-4 | DECK | | 1 | | | | |
| 148 | 347582-4 | HEIGHT ADJUST PLATE | | 1 | | | | |
| 149 | 265B20-5 | HEX.SOCKET BUTTON HEAD BOLT M8 | | 2 | | | | |
| 150 | 922311-2 | HEX. SOCKET HEAD BOLT M6X12 | | 4 | | | | |
| 151 | 313290-9 | REAR SHAFT HOLDER COVER | | 2 | | | | |
| 164 | 922441-9 | HEX. SOCKET HEAD BOLT M8X25 | | 2 | | | | |
| 165 | 459870-8 | FRONT GRIP | | 1 | | | | |
| 166 | 459873-2 | FRONT COVER | | 1 | | | | |
| 167 | 459874-0 | DECK UNDER COVER F | | 1 | | | | |
| 168 | 266424-2 | TAPPING SCREW 4X20 | | 6 | | | | |
| 169 | 265324-3 | HEX. FLANGE HEAD BOLT M8X12 | | 1 | | | | |
| 170 | 211247-3 | BALL BEARING 6002DDW | | 1 | | | | |
| 171 | 127513-7 | REAR WHEEL ASSEMBLY | | 1 | | | | |
| 172 | 211247-3 | BALL BEARING 6002DDW | | 1 | | | | |

Model No.DLM462 460MM CORDLESS LAWN MOWER

| Položka | Číslo dílu | Popis | Změna | Množství | New/Old | Možnost 1 | Možnost 2 | Poznámka |
|---------|------------|---------------------------------|-------|----------|---------|--------------|--------------|----------|
| 173 | 226941-4 | SPUR GEAR 49 | | 1 | | | | |
| 174 | 961052-5 | RETAINING RING S-12 | | 1 | | | | |
| 175 | 226940-6 | SPUR GEAR 12 | | 1 | | | | |
| 176 | 347586-6 | GEAR HOLDER PLATE | | 1 | | | | |
| 177 | 266424-2 | TAPPING SCREW 4X20 | | 2 | | | | |
| 178 | 911213-7 | PAN HEAD SCREW M5X12 | | 2 | | | | |
| 179 | 459867-7 | WHEEL CAP | | 1 | | | | |
| 180 | 911213-7 | PAN HEAD SCREW M5X12 | | 3 | | | | |
| 181 | 327426-4 | REAR SHAFT HOLDER | | 1 | | | | |
| 182 | 210163-6 | BALL BEARING 6001DDW | | 2 | | | | |
| 183 | 162691-6 | REAR SHAFT | | 1 | | | | |
| 184 | 922311-2 | HEX. SOCKET HEAD BOLT M6X12 | | 2 | | | | |
| 185 | 162694-0 | HEIGHT ADJUST LEVER COMPLETE | | 1 | | | | |
| 186 | 327426-4 | REAR SHAFT HOLDER | | 1 | | | | |
| 187 | 210163-6 | BALL BEARING 6001DDW | | 2 | | | | |
| 188 | 911213-7 | PAN HEAD SCREW M5X12 | | 3 | | | | |
| 189 | 459867-7 | WHEEL CAP | | 1 | | | | |
| 190 | 911213-7 | PAN HEAD SCREW M5X12 | | 2 | | | | |
| 191 | 347586-6 | GEAR HOLDER PLATE | | 1 | | | | |
| 192 | 226941-4 | SPUR GEAR 49 | | 1 | | | | |
| 193 | 226940-6 | SPUR GEAR 12 | | 1 | | | | |
| 194 | 961052-5 | RETAINING RING S-12 | | 1 | | | | |
| 195 | 211247-3 | BALL BEARING 6002DDW | | 1 | | | | |
| 196 | 127513-7 | REAR WHEEL ASSEMBLY | | 1 | | | | |
| 197 | 211247-3 | BALL BEARING 6002DDW | | 1 | | | | |
| 198 | 265324-3 | HEX. FLANGE HEAD BOLT M8X12 | | 1 | | | | |
| 199 | 266388-0 | TAPPING SCREW 5X16 | | 2 | | | | |
| 200 | 347585-8 | BRACKET | | 1 | | | | |
| 201 | 922311-2 | HEX. SOCKET HEAD BOLT M6X12 | | 1 | | | | |
| 202 | 127509-8 | DRIVE UNIT ASSEMBLY | | 1 | | | | |
| 203 | 265324-3 | HEX. FLANGE HEAD BOLT M8X12 | | 1 | | | | |
| 204 | 211247-3 | BALL BEARING 6002DDW | | 1 | | | | |
| 205 | 127514-5 | FRONT WHEEL ASSEMBLY | | 1 | | | | |
| 206 | 211247-3 | BALL BEARING 6002DDW | | 1 | | | | |
| 207 | 162690-8 | FRONT SHAFT | | 1 | | | | |
| 208 | 211247-3 | BALL BEARING 6002DDW | | 1 | | | | |
| 209 | 127514-5 | FRONT WHEEL ASSEMBLY | | 1 | | | | |
| 210 | 211247-3 | BALL BEARING 6002DDW | | 1 | | | | |
| 211 | 265324-3 | HEX. FLANGE HEAD BOLT M8X12 | | 1 | | | | |
| 212 | 341462-6 | PLATE | | 2 | | | | |
| 213 | 266424-2 | TAPPING SCREW 4X20 | | 4 | | | | |
| 214 | 266424-2 | TAPPING SCREW 4X20 | | 2 | | | | |

Model No.DLM462 460MM CORDLESS LAWN MOWER

| Položka | Číslo dílu | Popis | Změna | Množství | New/Old | Možnost 1 | Možnost 2 | Poznámka |
|---------|------------|---------------------------------|-------|----------|---------|--------------|--------------|----------|
| 215 | 459875-8 | DECK UNDER COVER R | | 1 | | | | |
| 216 | 266424-2 | TAPPING SCREW 4X20 | | 10 | | | | |
| A01 | 327589-6 | ROD 6 | | 1 | | | | |
| A02 | 782210-8 | SOCKET WRENCH 17 | | 1 | | | | |
| A03 | 782212-4 | SOCKET WRENCH 13 | | 1 | | | | |
| A05B | ***DC18RD | DC18RD TWO PORT FAST CHARGER | | 1 | | | | |
| D10 | | COMPO-PARTS | | | | | | |
| A06B | 197280-8 | BATTERY BL1850B SET | | 4 | | | | |
| E01 | 800A17-7 | SOUND 94DB LABEL | | 1 | | | | |

Please order the parts with part number.

Print Date 3/7/2020